



IA_KS-2W & IA_S-2W Series

2W, FIXED INPUT, ISOLATED & REGULATED DUAL OUTPUT DC-DC CONVERTER

multi-country patent protection **RoHS**

FEATURES

- SIP Package
- 1KVDC Isolation
- Temperature Range: -40°C to +85°C
- No Heatsink Required
- Internal SMD Construction
- No External Component Required
- Industry Standard Pinout
- RoHS Compliance

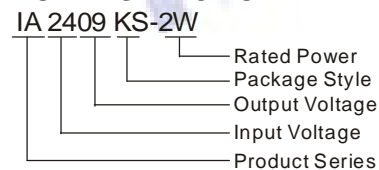
APPLICATIONS

The IA_KS-2W & IA_S-2W Series are specially designed for applications where a group of polar power supplies are isolated from the input power supply in a distributed power supply system on a circuit board.

These products apply to:

- 1) Where the voltage of the input power supply is fixed (voltage variation $\leq \pm 5\%$);
- 2) Where isolation is necessary between input and output (isolation voltage $\leq 1000\text{VDC}$);
- 3) Where the regulation of the output voltage and the output ripple noise are demanded.

MODEL SELECTION



MORNSUN America LLC

43 Broad Street
Hudson, MA 01749
Tel: 978-567-9610
Fax: 978-567-9601
<http://www.mornsunamerica.com>

PRODUCT PROGRAM

Part Number	Input		Output			Efficiency (% Typ)
	Voltage (VDC)		Voltage (VDC)	Current (mA)		
	Nominal	Range		Max	Min	
IA0505S-1W5	5	4.75-5.25	±5	±150	±15	69
IA0505S-2W			±5	±200	±20	70
IA0509KS-2W			±9	±100	±10	62
IA0512KS-2W			±12	±83	±9	64
IA0515KS-2W			±15	±67	±7	65
IA1205S-1W5	12	11.4-12.6	±5	±150	±15	70
IA1209KS-2W			±9	±100	±10	63
IA1212KS-2W			±12	±83	±9	65
IA1215KS-2W *			±15	±67	±7	68
IA2405S-1W5	24	22.8-25.2	±5	±150	±15	70
IA2409KS-2W			±9	±100	±10	63
IA2412KS-2W			±12	±83	±9	67
IA2415KS-2W			±15	±67	±7	69

* Designing.

ISOLATION SPECIFICATION

Item	Test conditions	Min	Typ	Max	Units
Isolation voltage	Tested for 1 minute and 1mA max	1000			VDC
Isolation resistance	Test at 500VDC	1000			MΩ

OUTPUT SPECIFICATIONS

Item	Test Conditions	Min	Typ	Max	Units
Output power		0.2		2	W
Line regulation	For Vin change of ±5%			±0.25	%
Load regulation	10% to 100% full load			±1	
Output voltage accuracy	100% full load			±3	
Temperature drift	100% full load			0.03	%/°C
Output ripple*	20MHz Bandwidth		20	30	mVp-p
Noise*	20MHz Bandwidth		75	150	
Switching frequency	Full load, nominal input		75		KHz

*Test ripple and noise by "parallel cable" method. See detailed operation instructions at Testing of Power Converter section, application notes.

Note:

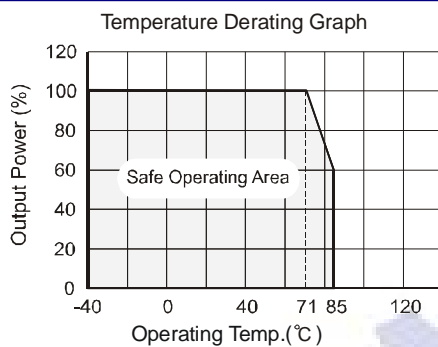
1. All specifications measured at TA=25°C, humidity<75%, nominal input voltage and rated output load unless otherwise specified.
2. See below recommended circuits for more details.

COMMON SPECIFICATIONS

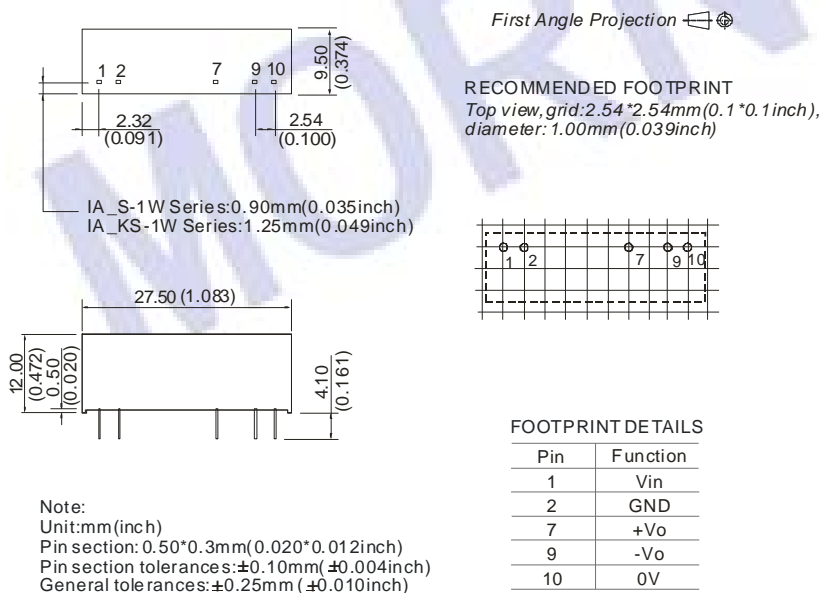
Item	Test conditions	Min	Typ	Max	Units
Storage humidity				95	%
Operating temperature		-40		80	°C
Storage temperature		-55		125	
Temp. rise at full load			20	30	
Lead temperature				300	
Cooling		Free air convection			
Case material		Plastic (UL94-V0)			
Short circuit protection	5V output	Continuous			
	Others*			1	s
MTBF		3500			K hours
Weight			5.2		g

*Supply voltage must be discontinued at the end of short circuit duration.

TYPICAL CHARACTERISTICS



OUTLINE DIMENSIONS & PIN CONNECTIONS



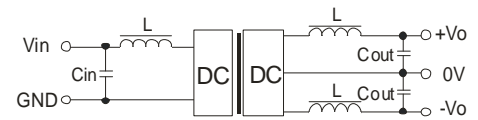
APPLICATION NOTE

Requirement on output load

To ensure this module can operate efficiently and reliably, a minimum load is specified for this kind of DC/DC converter in addition to a maximum load (namely full load). During operation, make sure the specified range of input voltage is not exceeded, the minimum output load is not less than 10% of the full load, that this product should never be operated under no load! If the actual output power is very small, please connect a resistor with proper resistance at the output end in parallel to increase the load, or use our company's products with a lower rated output power (IA_KS-1W/IA_S-1W series).

Filtering

To get an extreme low ripple, an "LC" filtering network may be connected to the input and output ends of the DC/DC converter, which may produce a more significant filtering effect. It should also be noted that the inductance and the frequency of the "LC" filtering network should be staggered with the DC/DC frequency to avoid mutual interference (see figure 1).



(Figure 1)

In some circuits which are sensitive to noise and ripple, a filtering capacitor may be added to the DC/DC output end and input end to reduce the noise and ripple. However, the capacitance of the output filter capacitor must be proper. If the capacitance is too big, a startup problem might arise. For every channel of output, provided the safe and reliable operation is ensured, the greatest capacitance of its filter capacitor sees the EXTERNAL CAPACITOR TABLE (see Table 1).

EXTERNAL CAPACITOR TABLE (Table 1)

Vin (VDC)	Cin (uF)	Vout (VDC)	Cout (uF)
5	4.7	±5	4.7
12	2.2	±9	2.2
24	1	±12	1
--	--	±15	0.47

It's not recommend to connect any external capacitor in the application field with less than 0.5 watt output.

Input Over-voltage Protection Circuit

The simplest device for input over-voltage protection is a linear voltage regulator with overheat protection that is connected to the input end in series (Figure 2).



(Figure 2)

When the environment temperature is higher than 71°C, the product output power should be less than 60% of the rated power.

No parallel connection or plug and play.

Use dual output simultaneously, forbid opening output pin(0V) to use as single output.